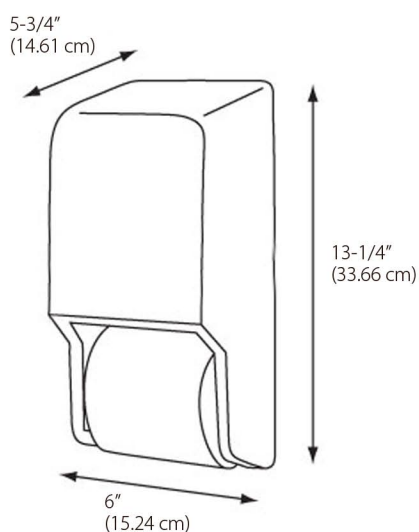


Model 325

Standard Double Roll Tissue Dispenser

Clean Stainless Look, Superior Performance

- Clean, stainless steel finish with heavy gauge construction for maximum strength and durability
- Fits 2 standard toilet tissue rolls with a minimum 1-1/2" core
- Design allows for complete usage of one roll before transferring to the next
- Heavy duty lock prevents tampering and theft



Specifications

Outside Dimensions

- 6" wide, 13-1/4" high, 5-3/4" deep
- 15.24 cm x 33.66 cm x 14.61 cm

Units Per Case

- 6 Units per case, individually boxed

Approximate Lbs per Case

- 29 lbs. per case

Cubic Feet per Case

- 3.66 cubic ft/case

Construction

- Stainless Steel



P: 920-499-1424 • F: 920-499-7254

www.alwin.com