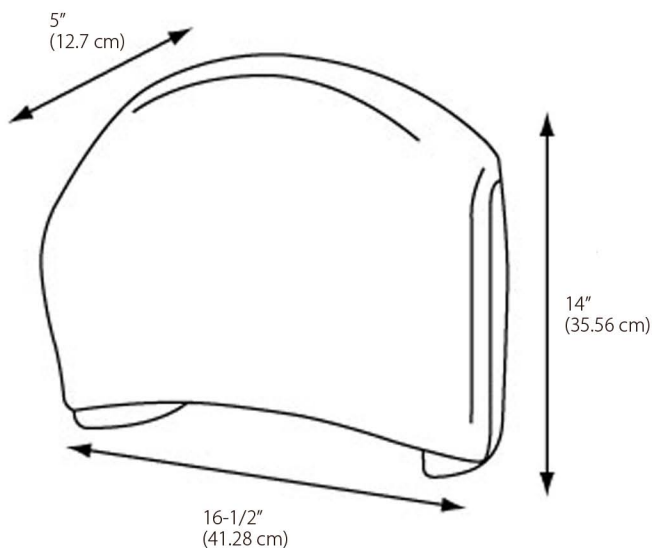


Model 29

Jumbo Roll Tissue Dispenser

Can be easily changed from a 9" (22.86 cm) to a 12" (30.48 cm) dispenser.

- Key lock discourages theft, preserving paper supplies
- Holds either a 12" (30.48 cm) or 9" (22.86 cm) Jumbo Roll
- Holds all popular Jumbo Roll Tissue widths
- Fast and easy loading, saving on maintenance costs
- All plastic construction
- Easy to clean
- Front is replaceable without the use of tools



Specifications

Outside Dimensions

- 16-1/2" wide, 14" high, 5" deep
- 41.28 cm x 35.56 cm x 12.7 cm

Units Per Case

- 4 Units per case, individually boxed

Approximate Lbs per Case

- 11 lbs. per case

Cubic Feet per Case

- 2.95 cubic ft/case

Construction

- Durable high impact plastic

Available in the standard color/finish combinations below

 Translucent Navy Cover
Black Body

 Translucent Navy Cover
Beige Body

 Put YOUR logo on
this dispenser!



P: 920-499-1424 • F: 920-499-7254

www.alwin.com