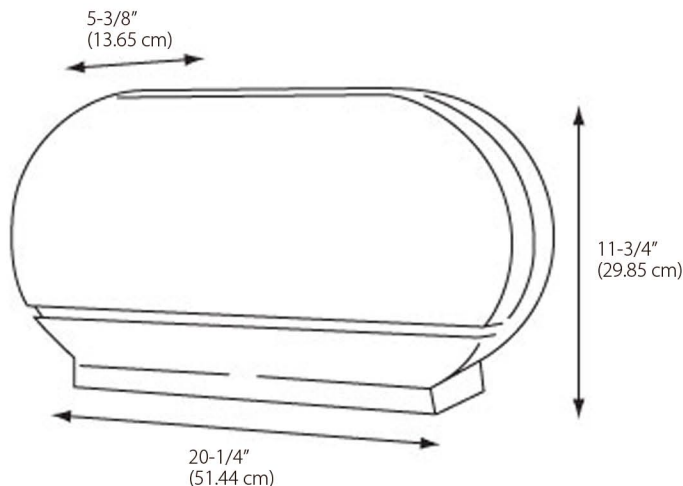


Model 27

Jumbo Roll Tissue Dispenser

Accommodates all brands of 9" (22.86 cm) diameter rolls with minimum 3" (7.62 cm) core diameter. Optional models available to handle core sizes from 2 1/4" (5.72 cm) to 3 3/8" (8.57 cm) through an exclusive changeable mandrel. The Twin Jumbo Roll Tissue Dispenser features a sliding roll door to prevent access to spare roll before the first roll is depleted.

- Key lock discourages theft, preserving paper supplies
- Holds all popular Jumbo Roll Tissue widths
- Dispenses perforated or non-perforated tissue, 1 or 2 ply
- Easy loading saves costly maintenance expense
- All plastic construction improves styling, provides easy to clean surface
- Permanent key knob available
- Eliminates stub roll waste



Specifications

- 20-1/4" wide, 11-3/4" high, 5-3/8" deep
- 51.44 cm x 29.85 cm x 13.65 cm

Units Per Case

- 4 Units per case, individually boxed

Approximate Lbs per Case

- 18 lbs. per case

Cubic Feet per Case

- 3.85 cubic ft/case

Construction

- Durable high impact plastic

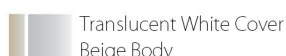
Available in the standard color/finish combinations below



Translucent Navy Cover
Black Body



Translucent Navy Cover
Beige Body



Translucent White Cover
Beige Body



Put YOUR logo on
this dispenser!



P: 920-499-1424 • F: 920-499-7254

www.alwin.com