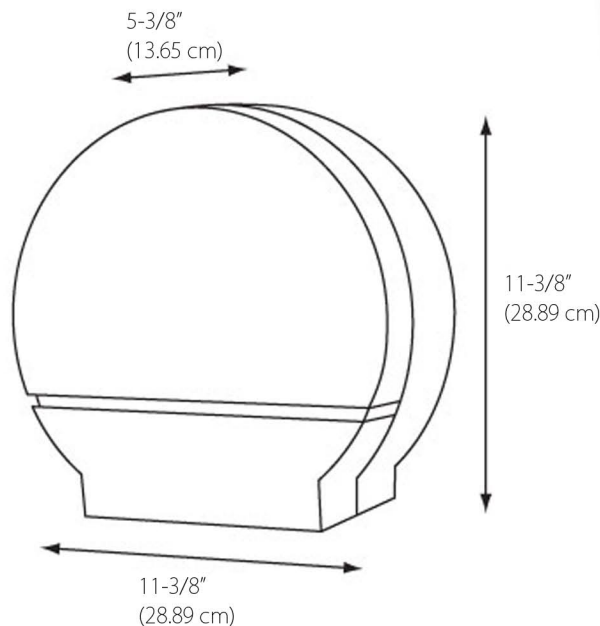
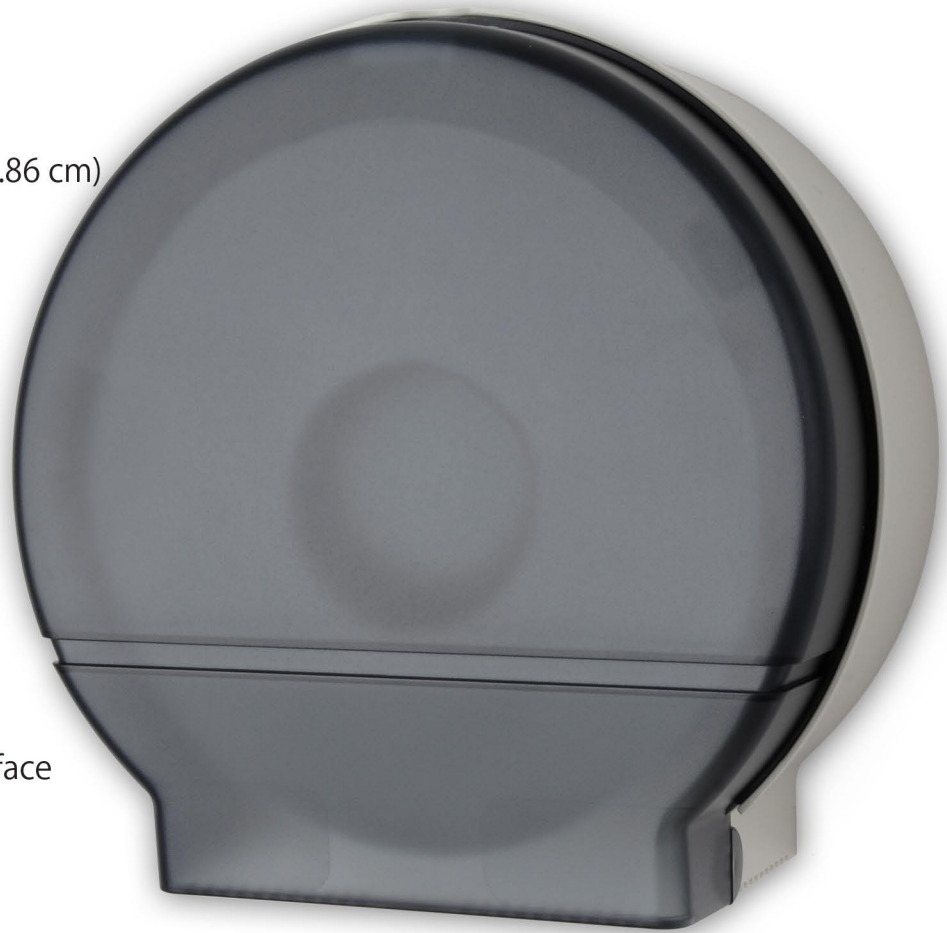


# Model 26

## Jumbo Roll Tissue Dispenser

Accommodates all brands of 9" (22.86 cm) diameter rolls with minimum 3" (7.62 cm) core. Optional models available to handle core sizes from 2-1/4" (5.72 cm) to 3-3/8" (8.57 cm) through an exclusive changeable mandrel. Key lock discourages theft, preserving paper supplies.

- Holds all popular Jumbo Roll Tissue widths
- Dispenses perforated or non-perforated tissue, 1 or 2 ply
- Easy loading saves costly maintenance
- All plastic construction improves styling, provides easy to clean surface
- Permanent key knob available



### Specifications

#### Outside Dimensions

- 11-3/8" wide, 11-3/8" high, 5-3/8" deep
- 28.89 cm x 28.89 cm x 13.65 cm

#### Units Per Case

- 6 Units per case, individually boxed

#### Approximate Lbs per Case

- 17 lbs. per case

#### Cubic Feet per Case

- 3.11 cubic ft/case

#### Construction

- Durable high impact plastic

Available in the standard color/finish combinations below

 Translucent Navy Cover  
Black Body

 Translucent Navy Cover  
Beige Body

 Translucent White Cover  
Beige Body

 Put YOUR logo on  
this dispenser!



P: 920-499-1424 • F: 920-499-7254

[www.alwin.com](http://www.alwin.com)