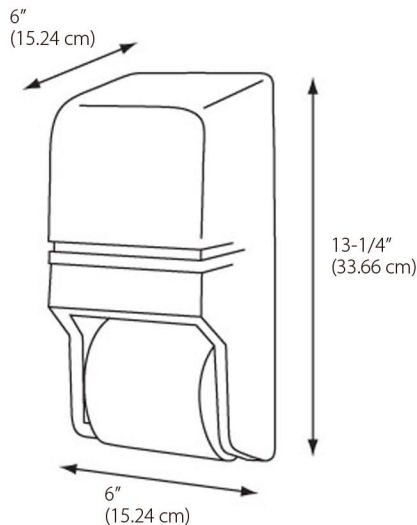


Model 25 Standard Roll Tissue Dispenser

Low Profile, Two-Roll Vertical Tissue Dispenser

Attractive styling! A companion design to hand towel dispensers. Reserve roll capacity prevents run out.

- Double latch lock works with standard metal key
- Lower profile than other units - 6" (15.24 cm) depth takes up less space
- Easy access to reserve roll
- Enclosed second roll for maximum hygiene
- 2-roll capacity avoids supply run out
- Dispenses universal rolls with a diameter up to 5.30" (13.46 cm) and roll widths up to 4.50" (11.43 cm)
- Permanent key knob available



Specifications

Outside Dimensions

- 6" wide, 13-1/4" high, 6" deep
- 15.24 cm x 33.66 cm x 15.24 cm

Units Per Case

- 6 Units per case, individually boxed

Approximate Lbs per Case

- 23 lbs. per case

Cubic Feet per Case

- 3.66 cubic ft/case

Construction

- High impact plastic front

Available in the standard color/finish combinations below



Put YOUR logo on
this dispenser!



P: 920-499-1424 • F: 920-499-7254

www.alwin.com