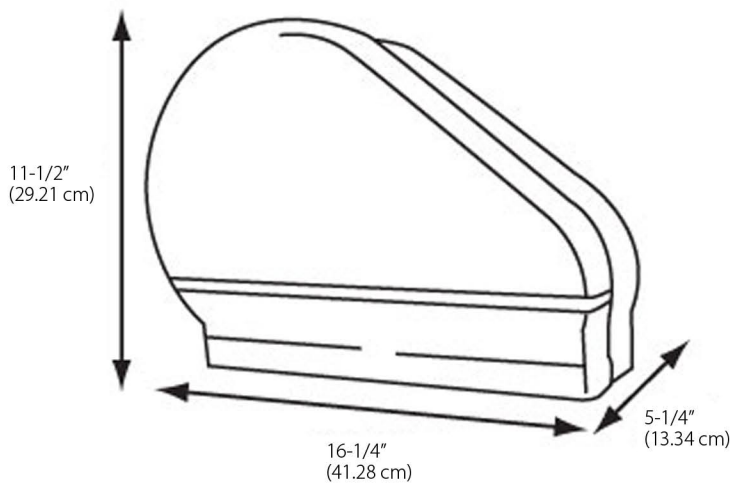


# Model 24 Jumbo Roll Tissue Dispenser

Attractive styling! A companion design to hand towel dispensers. Reserve roll capacity prevents run out.

- Small, compact design
- Sliding panel ensures the use of one roll at a time
- Double-latch lock prevents waste
- Translucent cover allows for easy view of paper
- 2-1/4" (5.72 cm) core, also includes a 3-3/8" (8.57 cm) adaptor



#### Specifications

##### Outside Dimensions

- 16-1/4" wide, 11-1/2" high, 5-1/4" deep
- 41.28 cm x 29.21 cm x 13.34 cm

##### Units Per Case

- 4 Units per case, individually boxed

##### Approximate Lbs per Case

- 12 lbs. per case

##### Cubic Feet per Case

- 2.60 cubic ft/case

##### Construction

- High impact plastic front & back

Available in the standard color/finish combinations below



Translucent Navy Cover  
Black Body



Translucent Navy Cover  
Beige Body



Translucent White Cover  
Beige Body



Put YOUR logo on  
this dispenser!



P: 920-499-1424 • F: 920-499-7254

[www.alwin.com](http://www.alwin.com)