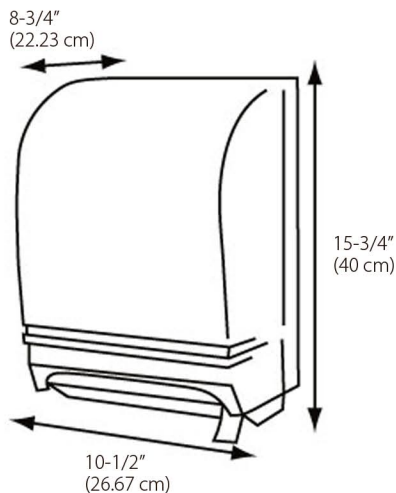


# Model 210 Lever Roll Towel Dispenser

## **Classic, lever operated dispenser.**

This unique lever system delivers 5-1/2" (14 cm) of toweling with each stroke. An economical unit with proven, outstanding performance.

- Key lock discourages theft
- Easy loading
- Strong, heavy gauge steel back assures positive positioning and correct dispensing
- ADA Compliant - a good choice for handicap situations
- Door can be replaced with no tools
- Dispenses non-perforated roll towels up to 8" (20.32 cm) in diameter and 8" (20.32 cm) wide with core sizes 1-1/2" (3.81 cm) to 2" (5.08 cm)



### Specifications

#### Outside Dimensions

- 10-1/2" wide, 15-3/4" high, 8-3/4" deep
- 26.67 cm x 40 cm x 22.23 cm

#### Units Per Case

- 1 Unit Per Case

#### Approximate Lbs per Case

- 8 lbs. per unit

#### Cubic Feet per Case

- 1.17 cubic ft/case

#### Construction

- High impact plastic front
- Heavy gauge steel back

Available in the standard color/finish combinations below



ADA compliant



Put YOUR logo on  
this dispenser!



P: 920-499-1424 • F: 920-499-7254

[www.alwin.com](http://www.alwin.com)