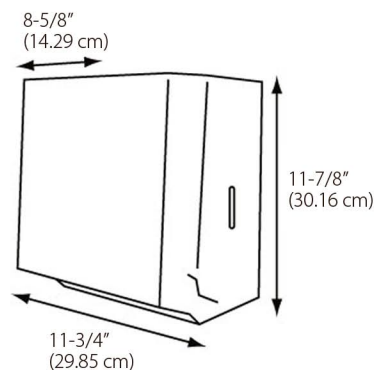


Model 185 Crank Lever Roll Towel Dispenser

A durable, long-lasting dispenser.

A universal dispenser that holds all popular hardwound roll towels up to 8" (20.32 cm) in diameter and roll widths from 7" (17.78 cm) to 9-1/2" (24.13 cm) A time proven crank system for maximum simplicity and long lasting use.

- Standard key lock discourages theft and vandalism
- Reliably proven, simple in design, fewer breakdowns
- Stub roll compartment guarantees full use of the paper supply
- Holds all standard size hardwound roll towels
- Easy to load
- User friendly — user determines how much paper to consume
- Crank driven — each revolution of the crank dispenses approximately a 3-1/2" (8.89 cm) paper length



Specifications

Outside Dimensions

- 11-3/4" wide, 11-7/8" high, 8-5/8" deep
- 29.85 cm x 30.16 cm x 14.29 cm

Units Per Case

- 1 Unit Per Case

Approximate Lbs per Case

- 9.5 lbs. per unit

Cubic Feet per Case

- 1.22 cubic ft/case

Construction

- Heavy gauge steel front and back

Available in the standard color/finish combinations below



P: 920-499-1424 • F: 920-499-7254

www.alwin.com