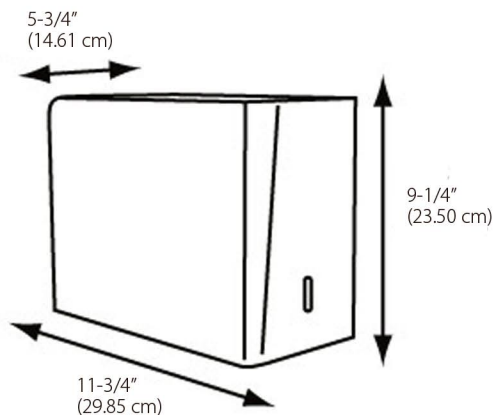


Model 91 Singlefold Towel Dispenser

Classic design. Maximum durability.

Alwin Folded Towel dispensers are ideal for all hand-drying applications. Smooth, easy towel delivery assures one-at-a-time dispensing. Designed for maximum strength and durability.

- Double latch key lock for safety
- Permanent key knob is available
- Holds approximately 450 towels
- View slots indicate refill time
- Smooth, easy towel delivery
- Dispenses one towel at a time



Specifications

Outside Dimensions

- 11-3/4" wide, 9-1/4" high, 5-3/4" deep
- 29.85 cm x 23.50 cm x 14.61 cm

Units Per Case

- 6 Units per case, individually boxed

Approximate Lbs per Case

- 33 lbs. per case

Cubic Feet per Case

- 2.71 cubic ft/case

Construction

- Heavy gauge steel front and back

Available in the standard color/finish combinations below



White Steel



P: 920-499-1424 • F: 920-499-7254

www.alwin.com