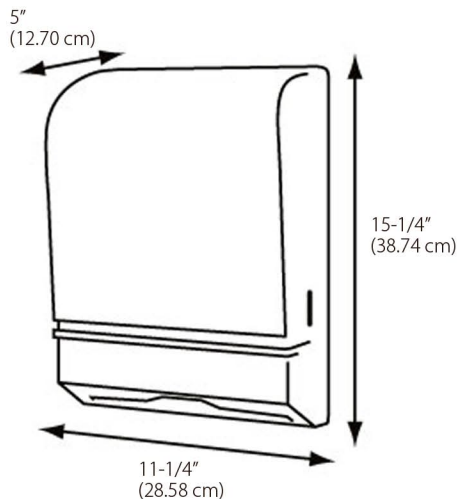


# Model 175 Multifold/C-Fold Towel Dispenser

## ***Versatile, with a modern look.***

Dispenses either Multifold or C-Fold towels with no adjustment necessary. Easy loading and high capacity results in maintenance savings.

- Double latch key lock for safety
- Permanent key knob is available
- Accommodates C-Fold or Multifold towels in various sizes up to 10-1/4" (26.04 cm) long and 4" (10.16 cm) wide
- Holds 300 C-Fold or 500 Multifold towels
- Dispensing slot eases towel removal and reduces multiple dispensing
- User is protected by a dispensing slot with a completely rolled edge



### Specifications

#### Outside Dimensions

- 11-1/4" wide, 15-1/4" high, 5" deep
- 28.58 cm x 38.74 cm x 12.70 cm

#### Units Per Case

- 6 Units per case, individually boxed

#### Approximate Lbs per Case

- 30 lbs. per case

#### Cubic Feet per Case

- 4.03 cubic ft/case

#### Construction

- Heavy gauge steel back
- High impact plastic front

Available in the standard color/finish combinations below



Translucent Navy Cover  
Beige Body



Translucent White Cover  
Beige Body



Put YOUR logo on  
this dispenser!



P: 920-499-1424 • F: 920-499-7254

[www.alwin.com](http://www.alwin.com)