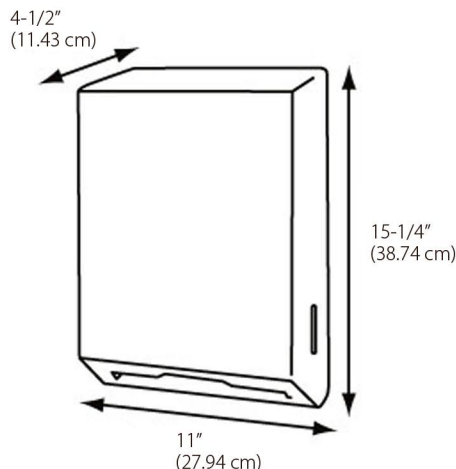


# Model 170 Multifold/C-Fold Towel Dispenser

## Versatile durable design.

Dispenses either Multifold or C-Fold towels with no adjustment necessary. Easy loading and high capacity results in maintenance savings.

- Double latch key lock for safety
- Permanent key knob is available
- Accommodates C-Fold or Multifold towels in various sizes up to 10-1/4" (26.04 cm) long and 4" (10.16 cm) wide
- Holds 300 C-Fold or 500 Multifold towels
- Heavy gauge metal back and cover
- Dispensing slot eases towel removal and reduces multiple dispensing
- User is protected by a dispensing slot with a completely rolled edge



### Specifications

#### Outside Dimensions

- 11" wide, 15-1/4" high, 4-1/2" deep
- 27.94 cm x 38.74 cm x 11.43 cm

#### Units Per Case

- 6 Units per case, individually boxed

#### Approximate Lbs per Case

- 38 lbs. per case

#### Cubic Feet per Case

- 3.27 cubic ft/case

#### Construction

- Heavy gauge steel front and back

Available in the standard color/finish combinations below



White Steel



Brushed Steel



Bright Chrome



P: 920-499-1424 • F: 920-499-7254

[www.alwin.com](http://www.alwin.com)